

AFTERCARE INSTRUCTIONS

These products have a high quality, durable finish which in order to preserve, should be treated with care.

Clean with warm soapy water and a soft damp cloth only.

Cleaning products, including non-scratch ones could damage the finish.

CUSTOMER SERVICE

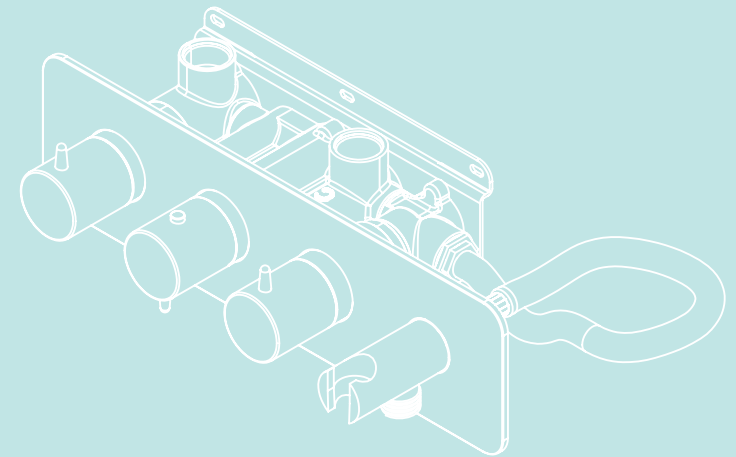
t: +44(0)208 686 5100
e: technical@saneux.com

Iain Stewart Centre, Beehive Ring Road,
Gatwick, RH6 0PB

www.saneux.com

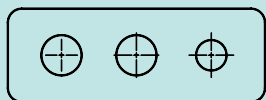
EDEN

INSTALLATION INSTRUCTIONS

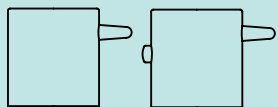


EDO20L.H - EDO21L.H

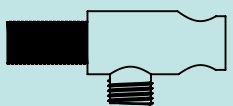
COMPONENTS



Finish Plate - With handset hole



Thermostatic & Diverter Handles



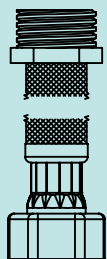
Shower outlet elbow & holder



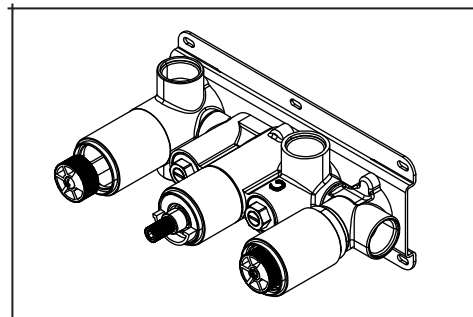
Brass reducing bush - 3/4" - 1/2"



Brass back nut - 1/2"

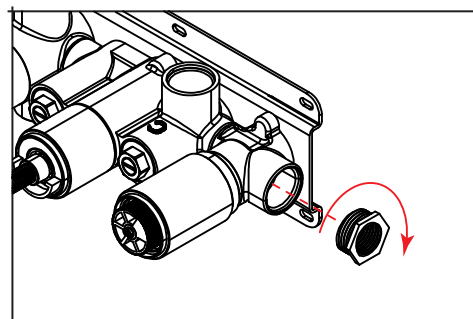
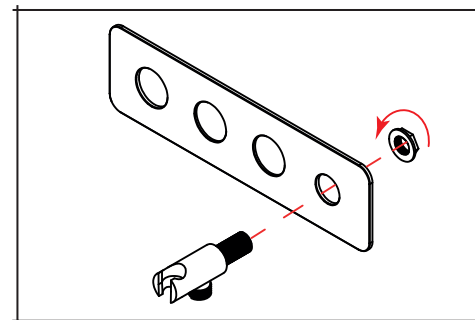


Flexi hose, male to female - 1/2"



1.
Install the Valve using the Valve instructions provided with the 'VB' valve.

2.
Fix the outlet elbow to the finish plate using the brass nut provided. Make sure the nut is tightly secured and that it is vertical.
NOTE: To prevent the outlet elbow from loosening, use some silicone behind the brass back nut to set in place.



3.
Connect the provided brass 'Reducing Bush' to the valve outlet. Make sure this is secured tightly.

4.
Connect the flexihose to valve body and then to the outlet elbow. Proceed to fit the finish plate over the valve shrouds, and install using the instructions provided with the 'VB' valve.
NOTE: Depending on spacing due to the distance of the finish plate along the shrouds, it may be useful to cut down the thread of the 'Outlet elbow'.

